



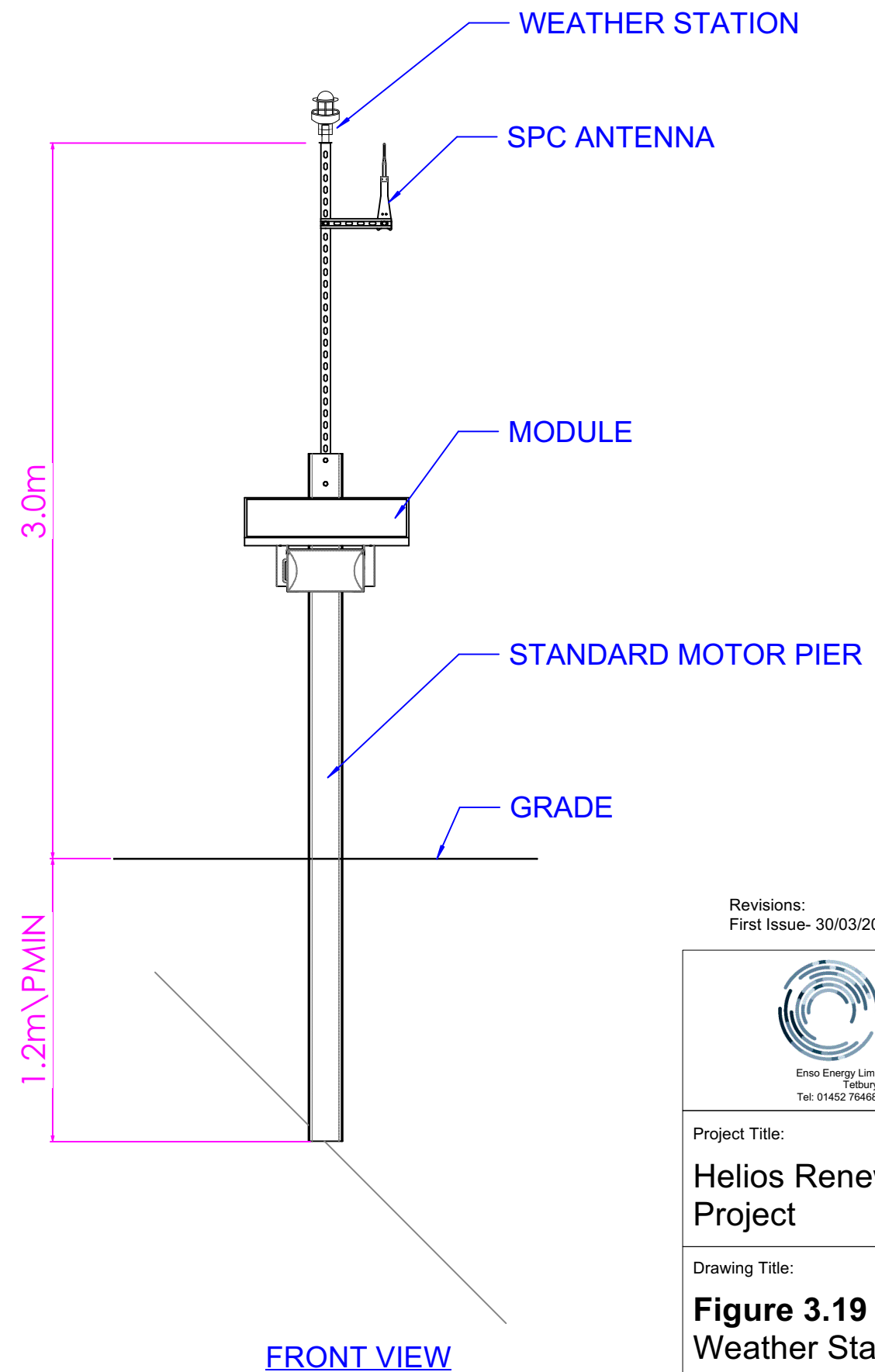
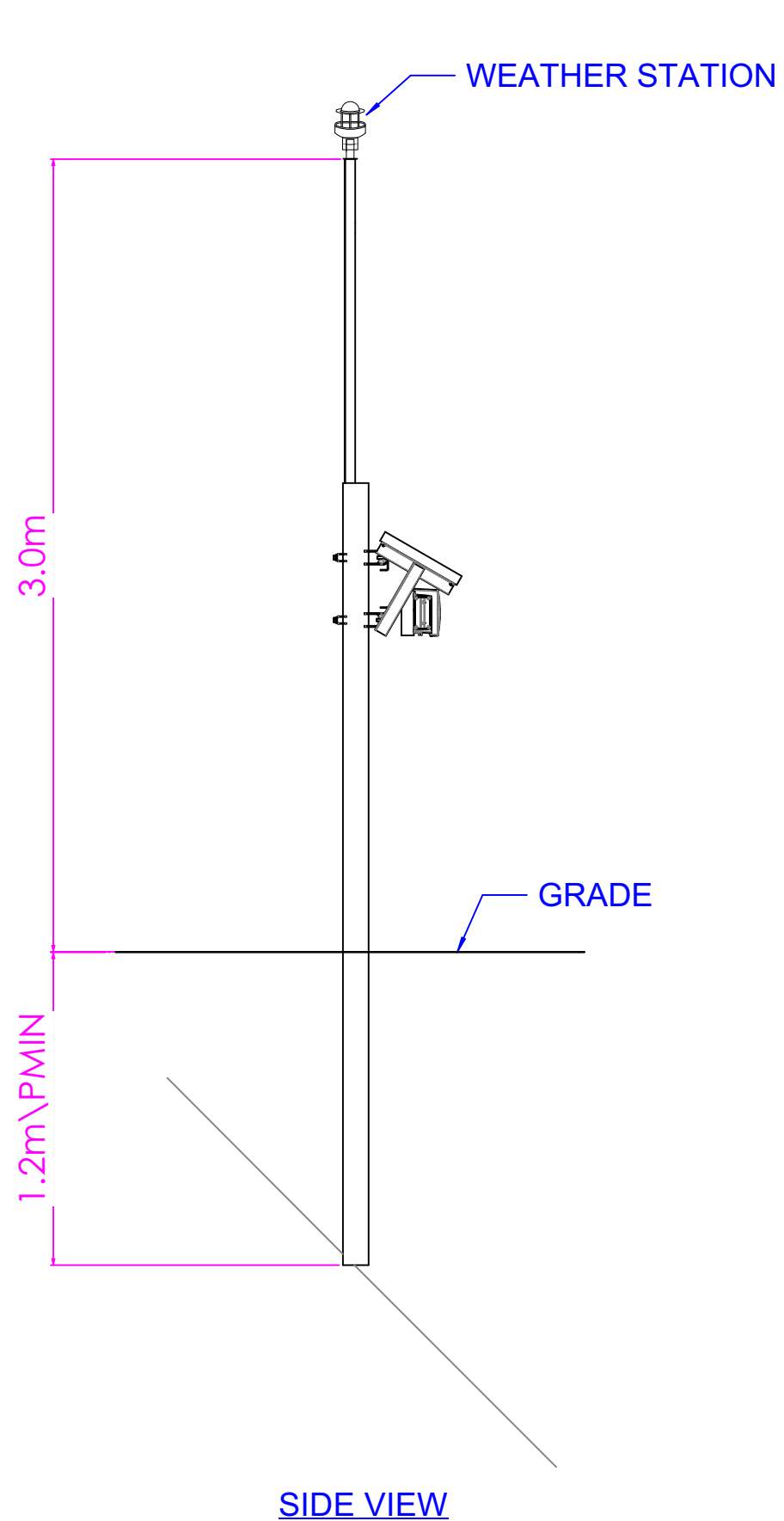
HELIOS RENEWABLE
ENERGY
PROJECT

PINS Document Number:
EN010140/APP/6.2.3.19

Pursuant to:
APFP Regulation 5(2)(a)

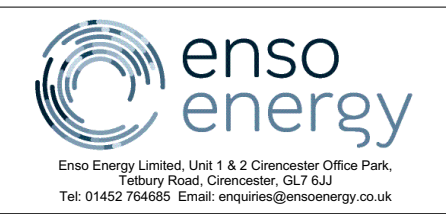
Environmental Statement Figure 3.19: Weather Station

June 2024



GENERAL NOTES:
 1) ALL DIMENSIONS ARE IN METERS UNLESS SPECIFIED.

Revisions:
 First Issue- 30/03/2022 JS



Project Title:
Helios Renewable Energy Project

Drawing Title:
Figure 3.19 Weather Station

DRWG No: DX-01-P07	Rev: -	Sht no: -
Drawn by : JS	Checked by: KL	
Scale: 1:25 @ A3	Date: 30/03/2022	